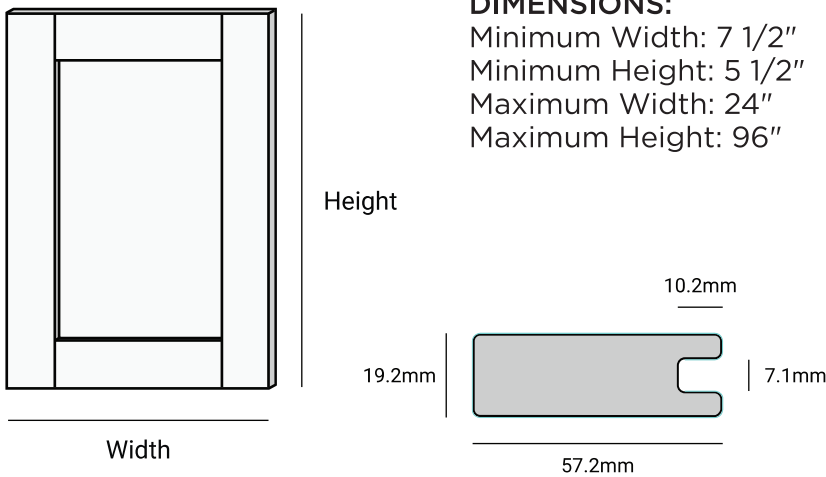


5-PIECE SHAKER WRAPPED PROFILE

90° DOOR SQUARE PROFILE

NEXGEN® shaker Doors are assembled with Olon's new Profiles. Both Top and Bottom are edgebanded. This produces a high-end look that elevates the design of any interior setting.

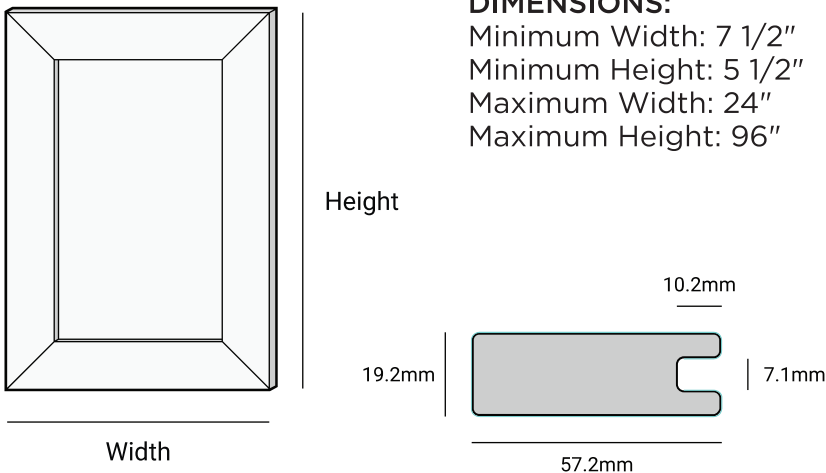
DIMENSIONS:
Minimum Width: 7 1/2"
Minimum Height: 5 1/2"
Maximum Width: 24"
Maximum Height: 96"



45° DOOR SQUARE PROFILE

NEXGEN® shaker Doors are assembled with Olon's new Profiles. Both Top and Bottom are edgebanded. This produces a high-end look that elevates the design of any interior setting.

DIMENSIONS:
Minimum Width: 7 1/2"
Minimum Height: 5 1/2"
Maximum Width: 24"
Maximum Height: 96"



5-PIECE SLIM SHAKER WRAPPED PROFILE

SLIM SHAKER 45° DOOR

Our slim shaker doors are manufactured in a multistep process with precision machining and zero joint edgebanding on all edges to provide a durable and high-quality finish on every panel.

No one comes close to matching the beauty of our slim shaker or the variety of materials available to choose from. We made it first and we make it best

DIMENSIONS:

Minimum Width: 5"

Minimum Height: 5"

Maximum: Varies by décor and grain direction

